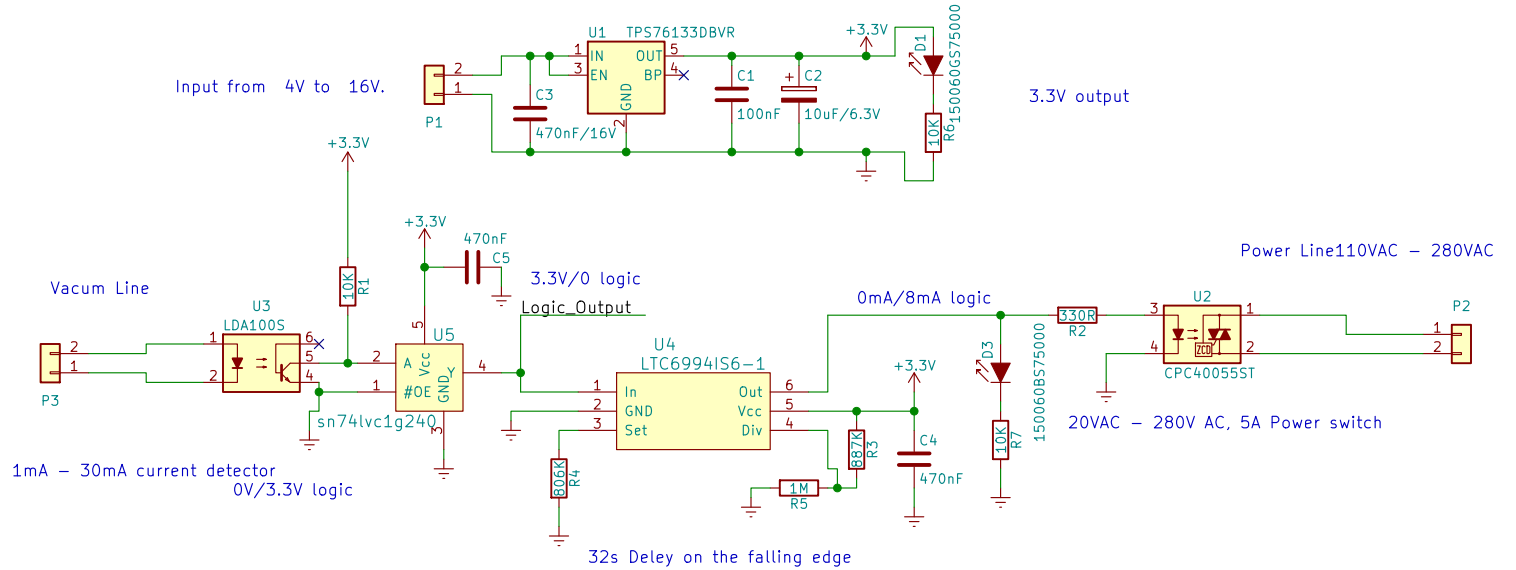


Circuit for detecting the On/Off state of the Central Vacum.
 For the detection it uses the 1mA to 2mA current in the control line of the central vacum.

LED from Wurth Electronics Inc.



aSoos1Logo

aSoos Inc.

Sheet: /
 File: Porszivo.sch

Title: Central Vacum On-Off Detection

Size: USLetter Date: 2017-12-28
 KiCad E.D.A. kicad 4.0.7

Rev: 1.0
 Id: 1/1

asobos logo 2018.10.26

Power (4V - 16V)

U1

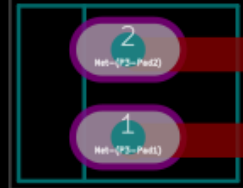
TPS76133DBVR

Line1

20-280VAC

Line2

35.000 mm

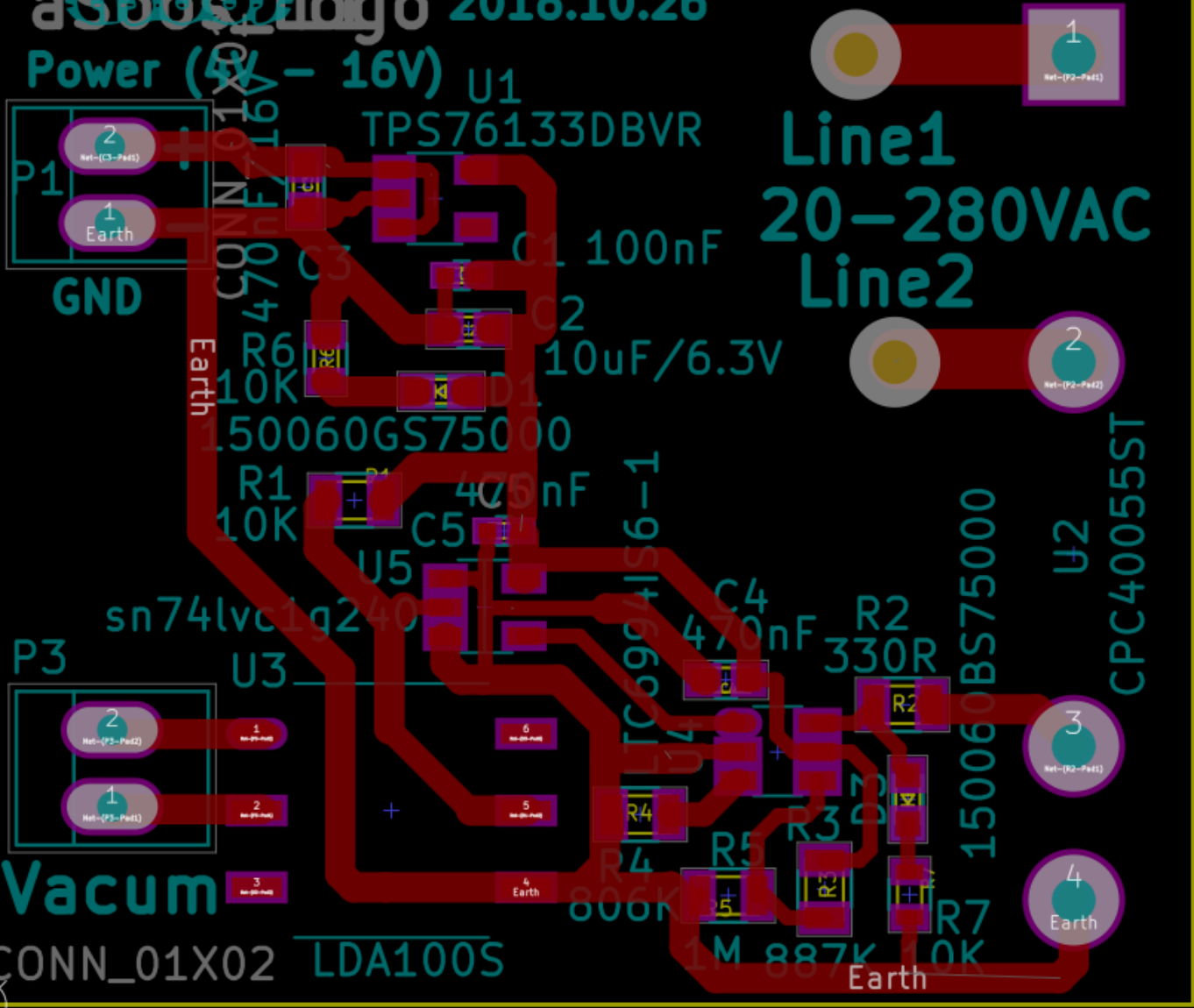


Vacum

CONN_01X02

LDA100S

40.000 mm



U2
CPC40055ST

150060BS75000

Earth



