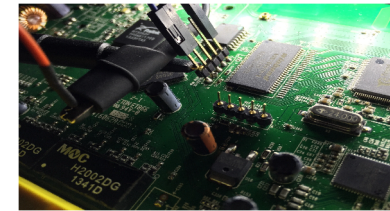
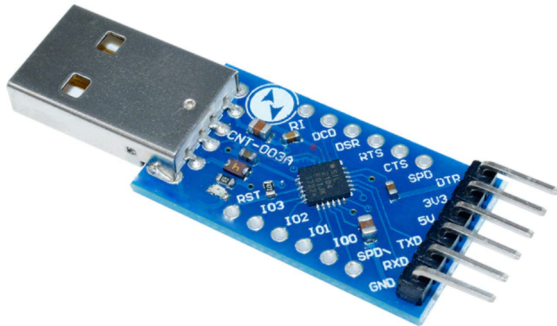
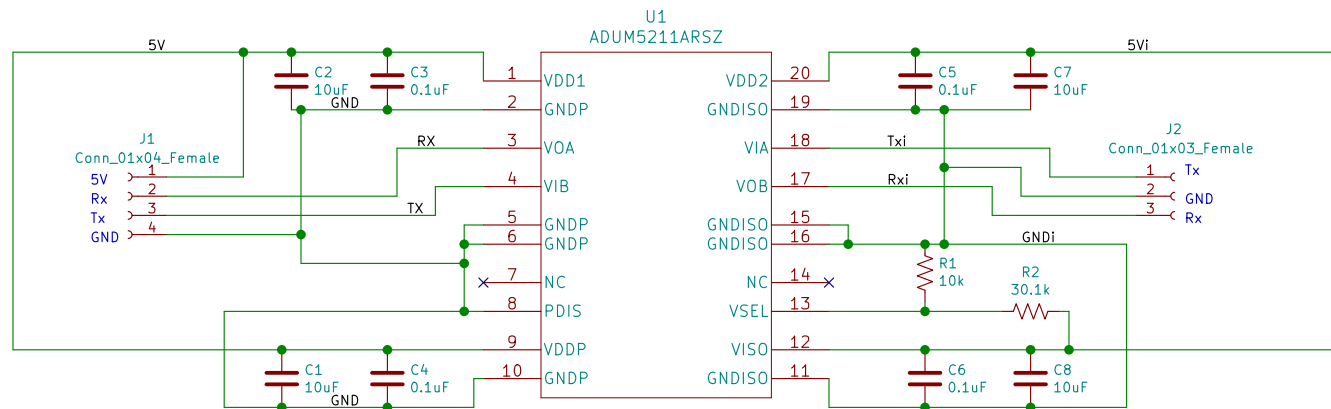


# PC & Serial Terminal



## UART Isolator

Embedded System  
UART: Rx, Tx, and GND\_local



BOM:

U1: ADUM5211ARSZ

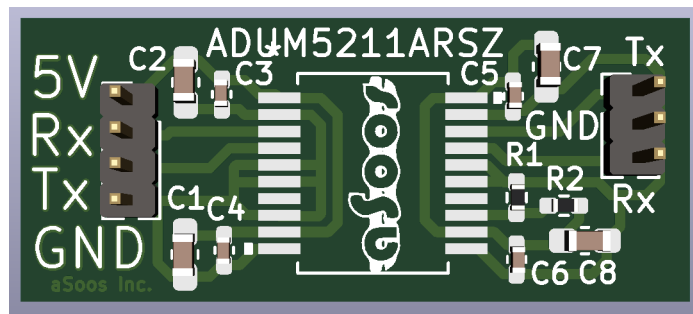
C1,C2,C7,C8: 10uF,16V 0603 Capacitor

C3,C4,C5,C6: 0.1uF,16V 0402 Capacitor

R1: 10k 0402 Resistor

R2: 30.1 0402 Resistor

L1  
Logo



aSoos Inc.

Sheet: /

File: USB-UART\_Isolator.sch

**Title: UART isolator**

Size: USLetter Date: 2021-09-12

KiCad E.D.A. kicad (5.1.10)-1

Rev: 1.0

Id: 1/1